

FOR ON-LINE QUOTING VISIT:

METALDECKSUPPLY.COM



Visit our New Responsive Site from any Desktop, Smart Phone or Tablet Today!

SNAP IT!



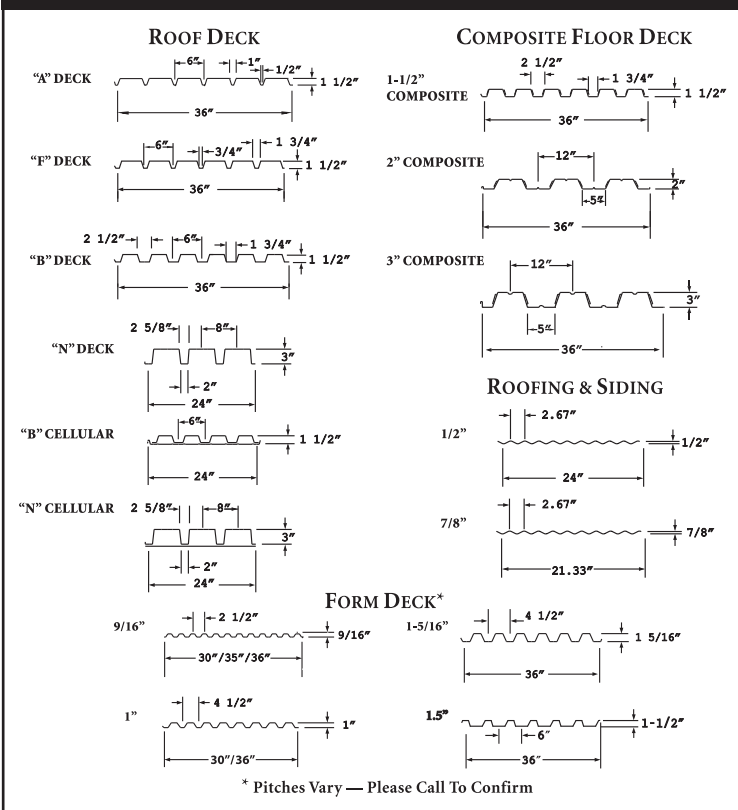
800-894-7741

630-978-7800 • 630-978-7825 (FAX)

sales@metaldecksupply.com

- ALBANY, NY
- HOUSTON, TX
- ATLANTA, GA
- INDIANAPOLIS, IN
- AURORA, IL
- JACKSON, TN
- COLUMBUS, OH
- JACKSONVILLE, FL
- FT. WORTH, TX
- KANSAS CITY, MO
- GREENSBORO, NC
- KNOXVILLE, TN
- HAGERSTOWN, MD
- SAN ANTONIO, TX
- ST. LOUIS, MO

METAL DECK PROFILES

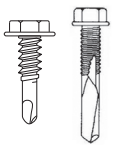


COMMON INVENTORY

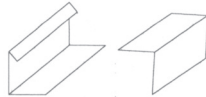
TYPE	GAUGE	FINISH	WIDTH	LENGTHS
B	22	PTD	36"	12'3, 20'3, 24'3
B	22	G60/G90	36"	20'3 & 24'3
B	20	G60/G90 OR PTD	36"	20'3 & 24'3
B	18	G60/G90 OR PTD	36"	24'3
F	22	G60/G90 OR PTD	36"	20'3 & 24'3
F	20	G60 OR PTD	36"	24'3
A	20	G90 OR PTD	30" & 36"	12'3, 20'3, 24'3
A	22	G90 OR PTD	36"	12'3, 20'3, 24'3
N	20	G60/G90	24"	24'0
N	18	G60/G90	24"	24'0
1-1/2"	20	G60	36"	20'0 & 24'0
1-1/2"	18	G60	36"	24'0
2"	20	G60	36"	20'0 & 24'0
2"	18	G60	36"	24'0
3"	20,18	G60	24" & 36"	24'0
9/16"	22	G60/G90	30"/35"/36"	24'3
9/16"	26	G60	30"/35"/36"	12'3 & 20'3
1/2"	24, 22	G90	24"	10'0
7/8"	24, 22	G90	21-1/3"	10'0
1"	24, 20	G60/G90	30" & 36"	12'3, 20'3, 24'3
1-5/16"	22	G60/G90	36"	20'3
1.5"	22, 20, 18	G60/G90 OR PTD	36"	12'3, 20'3, 24'3

BUY YOUR METAL DECKING ACCESSORIES FROM THE METAL DECK EXPERTS

TEKS®
SELF-DRILLING FASTENERS



CELL CLOSURE

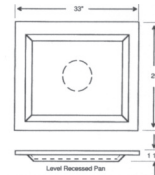


POUR STOP

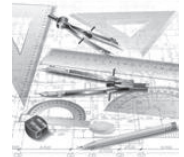
RUBBER CLOSURE



SUMP PANS



SHOP DRAWINGS



STAINLESS STEEL AND ACOUSTIC DECKS AVAILABLE

**DON'T SEE WHAT YOU NEED?
WE CAN GET THE METAL DECK TO COMPLETE ANY PROJECT!
A.C.T. METAL DECK SUPPLY — YOUR ONE-STOP METAL DECK SHOP!**