



Providing 4-Star Service:

- ★ *Quality products*
- ★ *Accurate order handling*
- ★ *Fast, reliable delivery*
- ★ *Competitive pricing*

845 Peerless Road
Summersville, WV 26651

Phone: 304-872-4451

Toll Free: 866-255-5474

Fax: 304-872-5263



★ **Installation
Guide**

Max-Loc II Panel 16"
(Must Be Installed Over Solid Decking)

Includes:

- *Max-Loc II Panel*
- *Max Loc II Trim Profiles*
- *Max Loc II Trim Installation Guide*

NOTES

Table of Contents

Max-Loc II Panel Installation Guide 2
(Must Be Installed Over Solid Decking)

Rake Gable Trim 3

Rake Square Sidewall Flashing 4

Ridge Cap 5

W – Valley 6

End Wall Flashing 7

Drip Edge 8

Side Wall 9

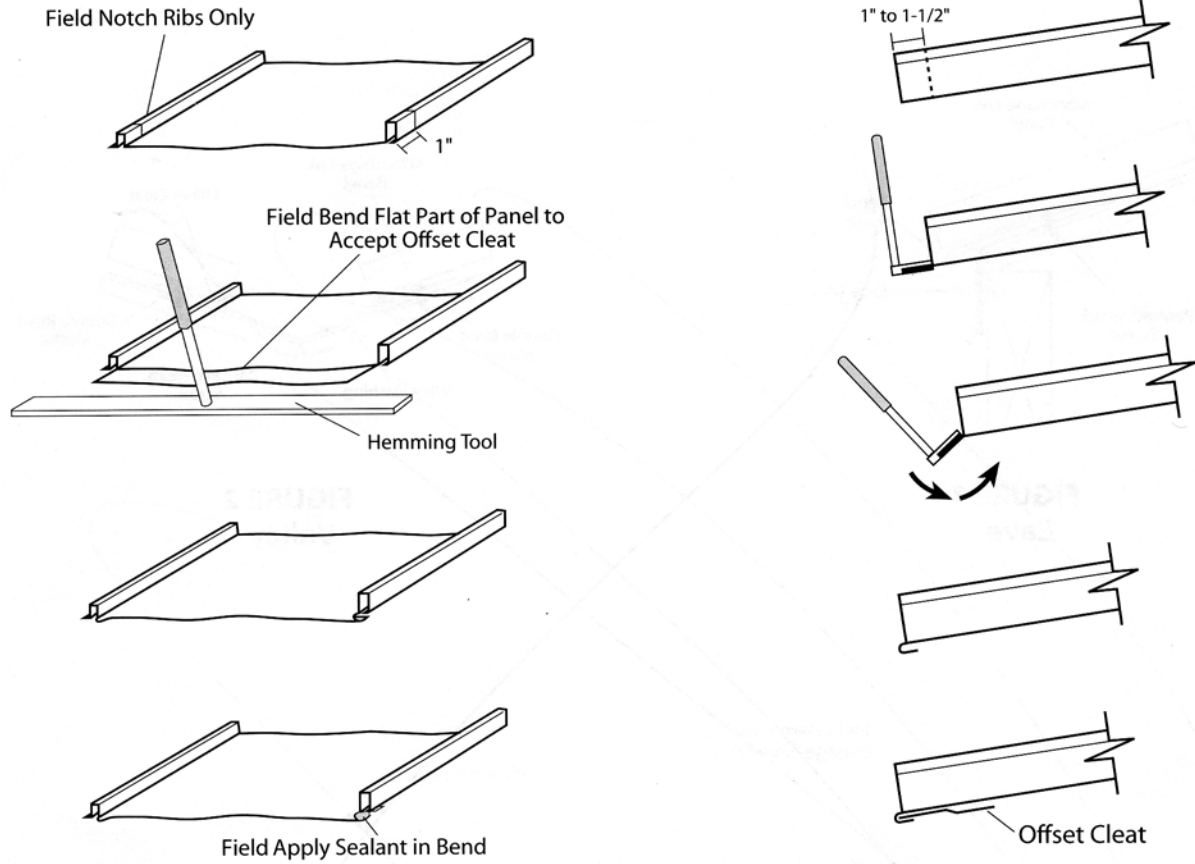
Transition 10



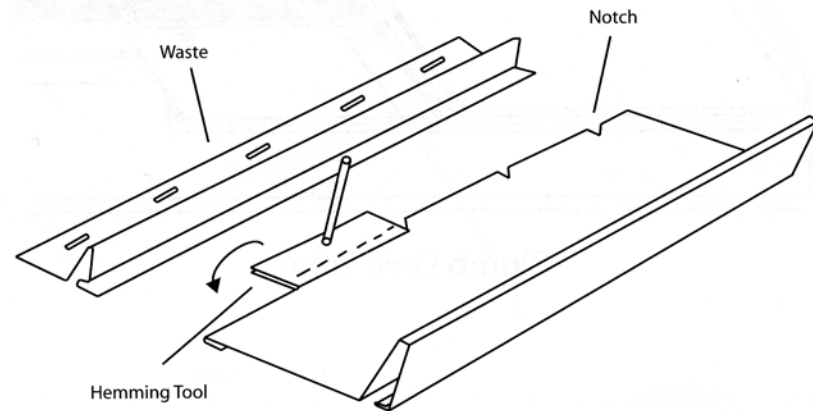
Max-Loc II Field Hemming of Panel

(Must Be Installed Over Solid Decking)

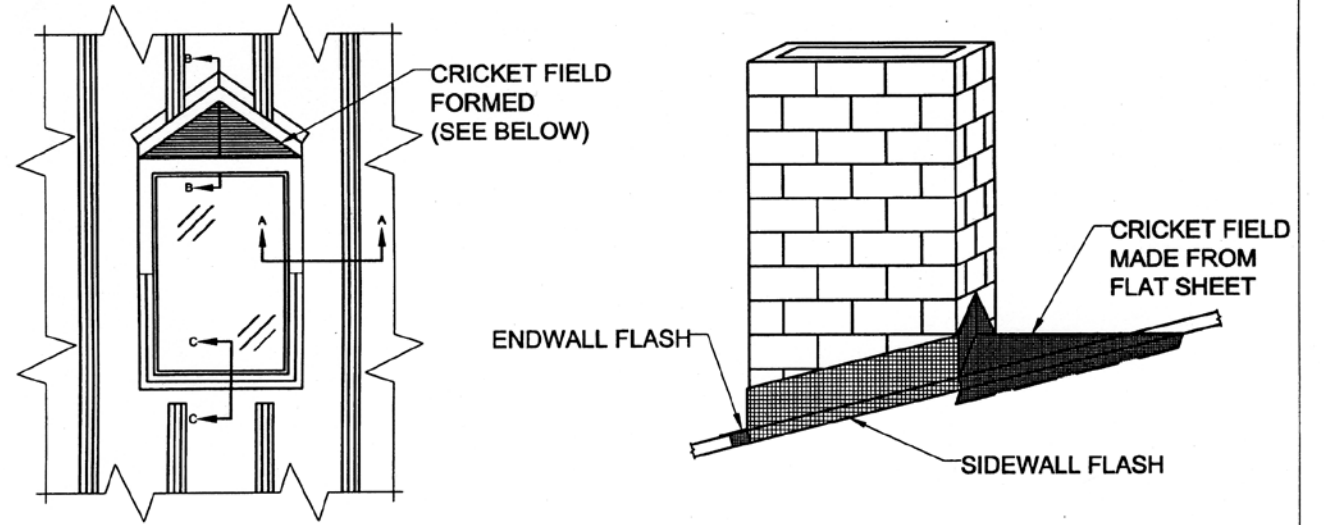
Panel Eave End Field Hemming: When hemming panels, it works best to cut the ribs and hem the panel by turning the sheet upside down. For safety reasons, it is recommended that panels be hemmed on the ground.



Square Rake Hemming Detail: Measure and hem side of panel based on distance from edge of Rake to rib. Field cut/notch a V the length and slot depth of the hemming tool into the side of the panel. Bend side with the hemming tool.

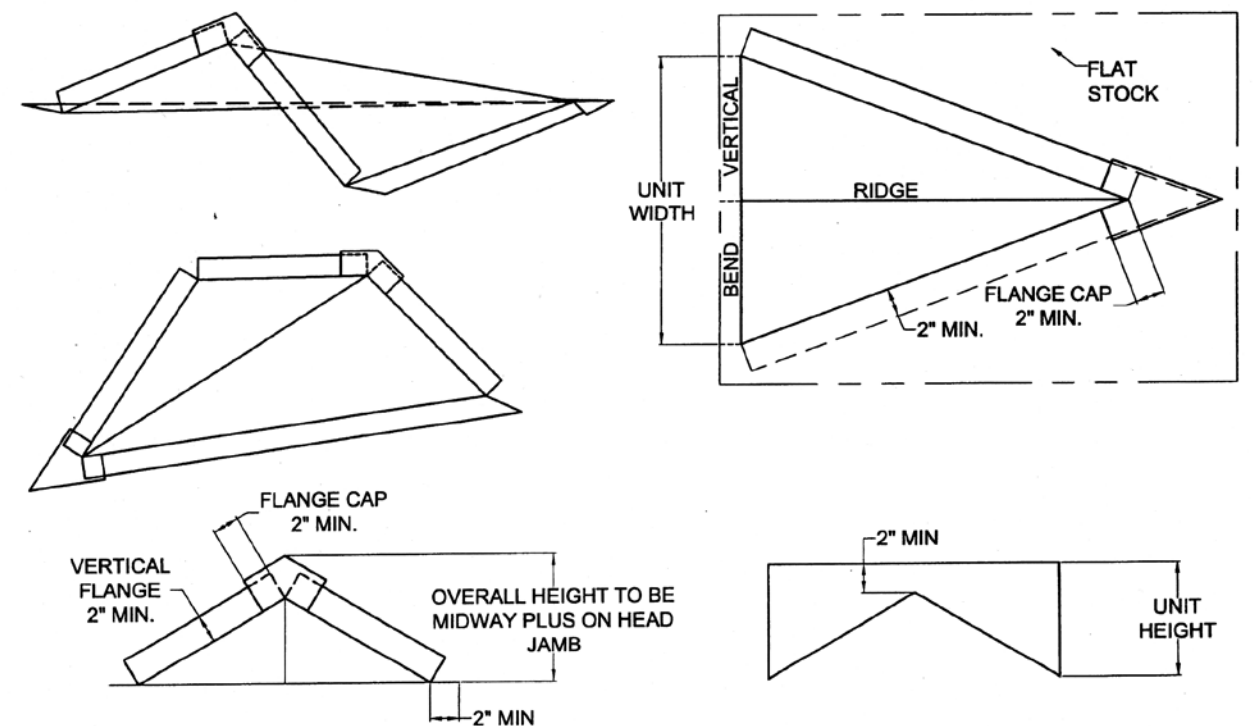


SKYLIGHT or CHIMNEY DETAILS



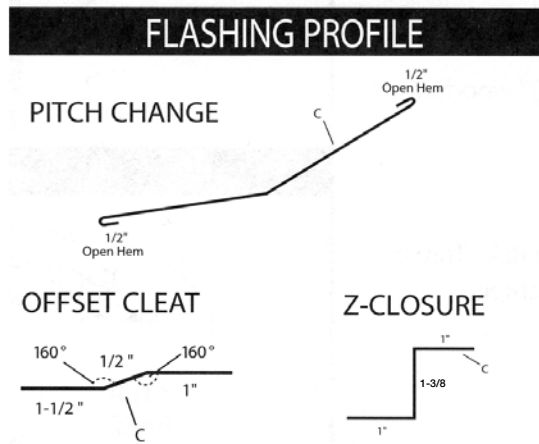
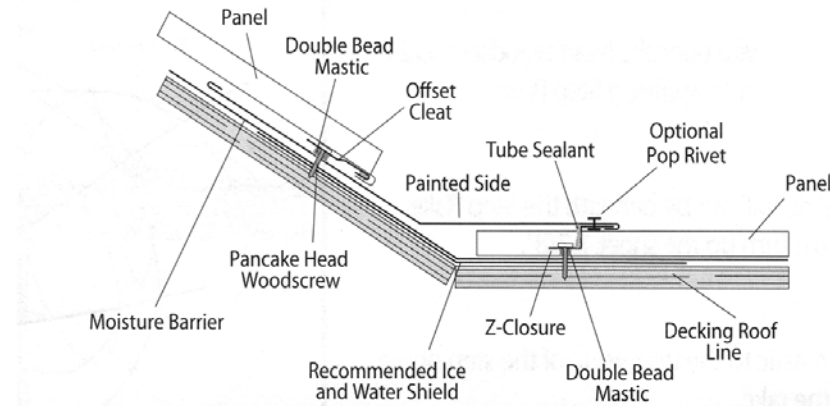
For optimum weathertightness, use ice and water shield or similar around penetrations.

CRICKET FIELD FORMING

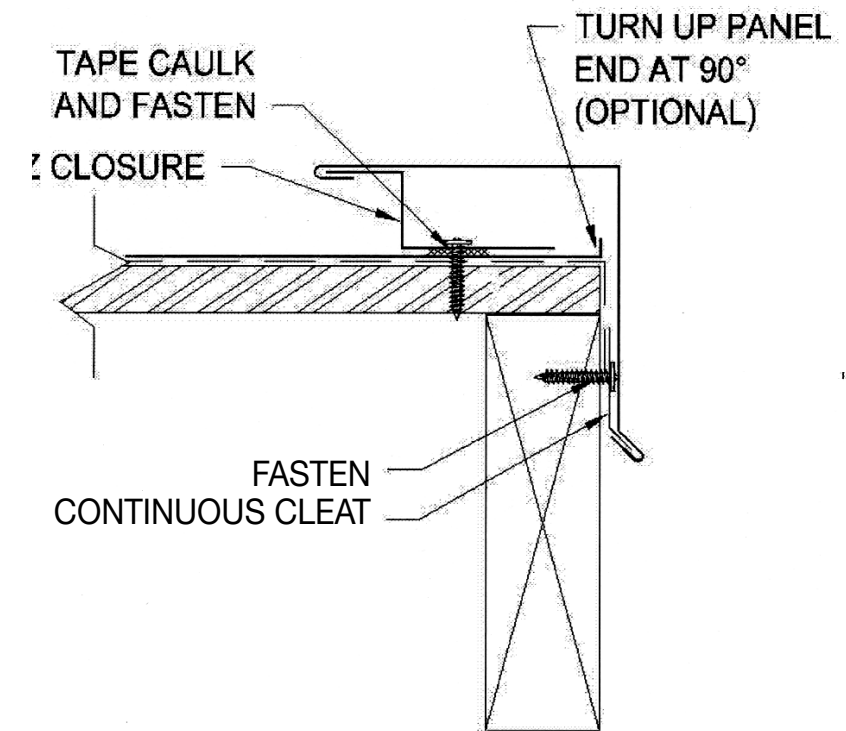
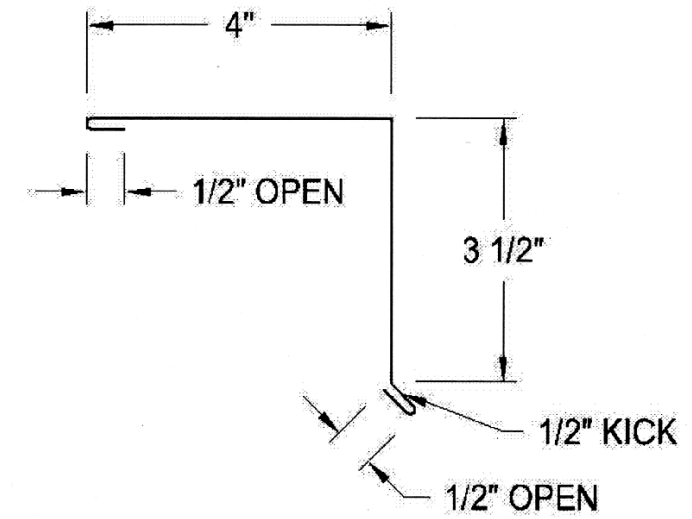


Max-Loc II Transition

1. Before you install the Pitch Change, the lower roof panels must be installed.
2. Apply double bead mastic in the flat across the width of each lower roof panel 1" from the Pitch Change end.
3. Field cut Z-Closure to fit between the panel ribs, then place over the mastic and fasten with two 1" pancake head woodscrews.
4. Apply tube sealant to each end of the Z-Closure filling the gap between the end and panel ribs.
5. Hook the Pitch Change to the Z-Closure. Apply double bead mastic on top of the Pitch Change to allow the hemmed panel to snap over the offset cleat.
6. Fasten with pancake head woodscrews 12" on center. Secure with pop rivets (Optional). Hook panel over the offset cleat.

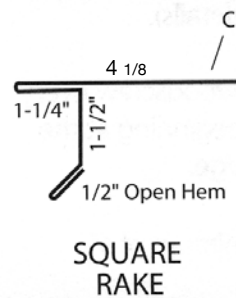
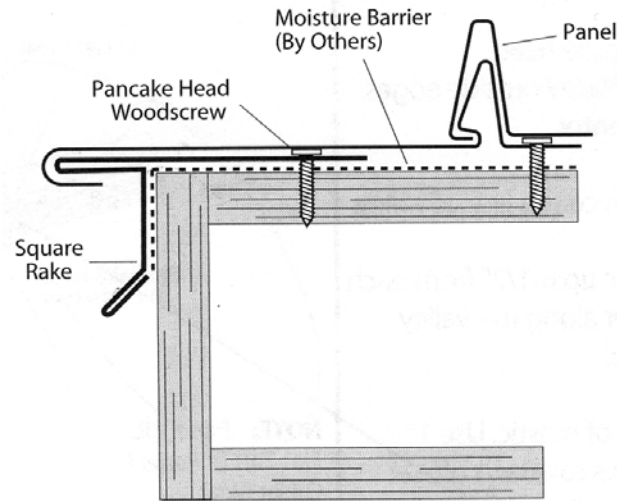


Max-Loc II Rake Gable Trim



Max-Loc II Square Rake

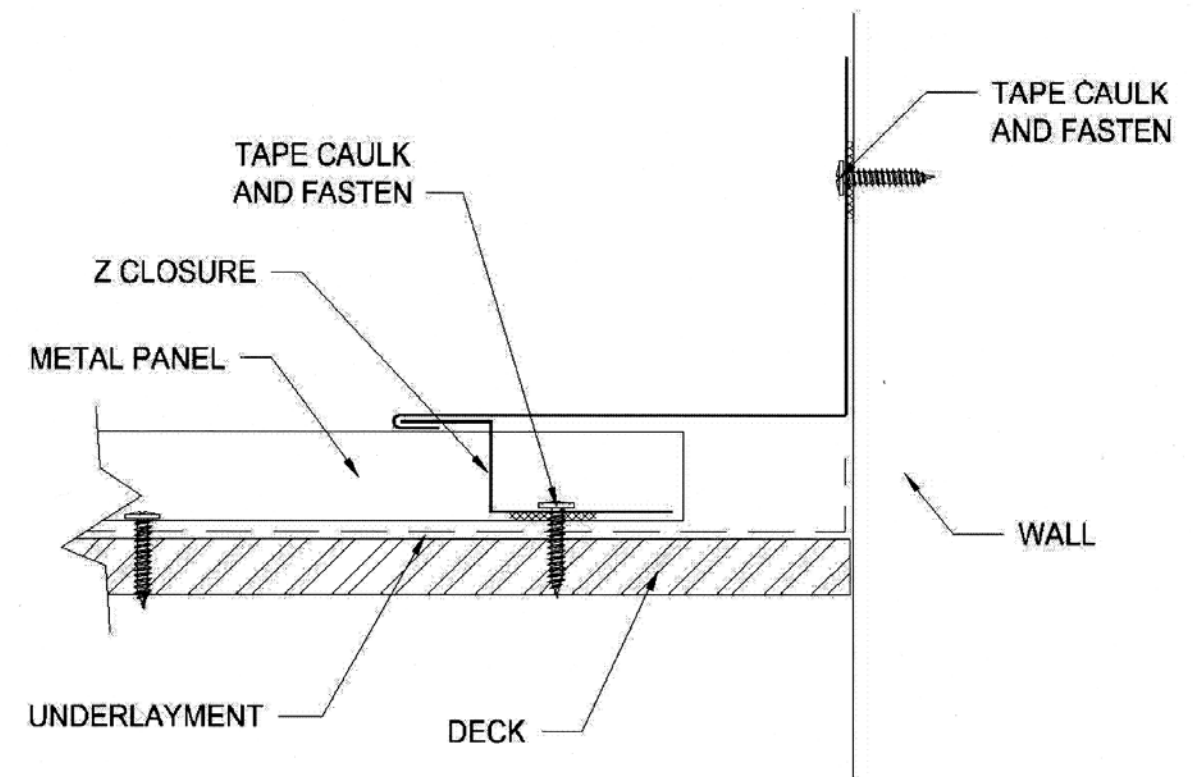
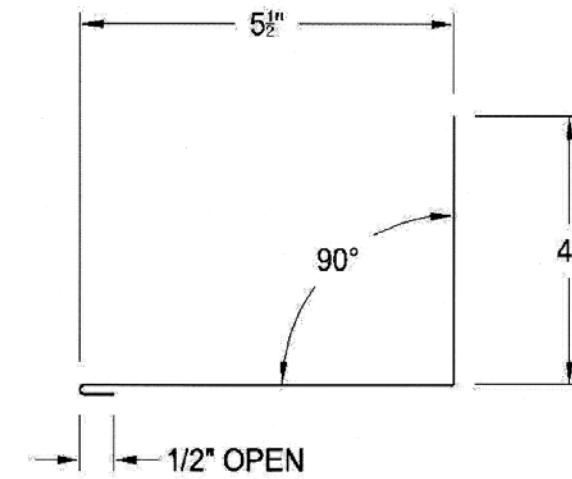
1. Fasten Square Rake with pancake head woodscrews 24" on center.
2. Refer to page 15 for Square Rake hemming detail.
3. Hook hemmed panel to Square Rake and secure with pancake head woodscrews.



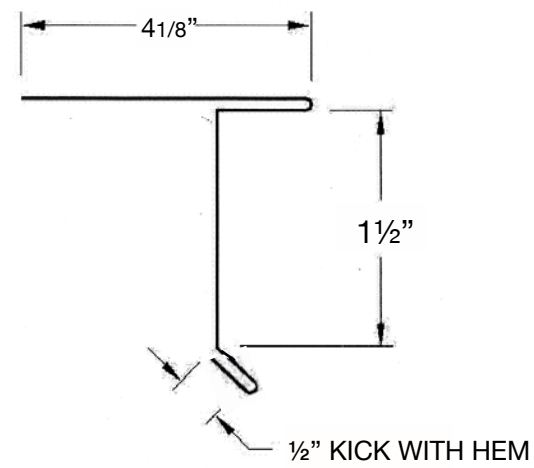
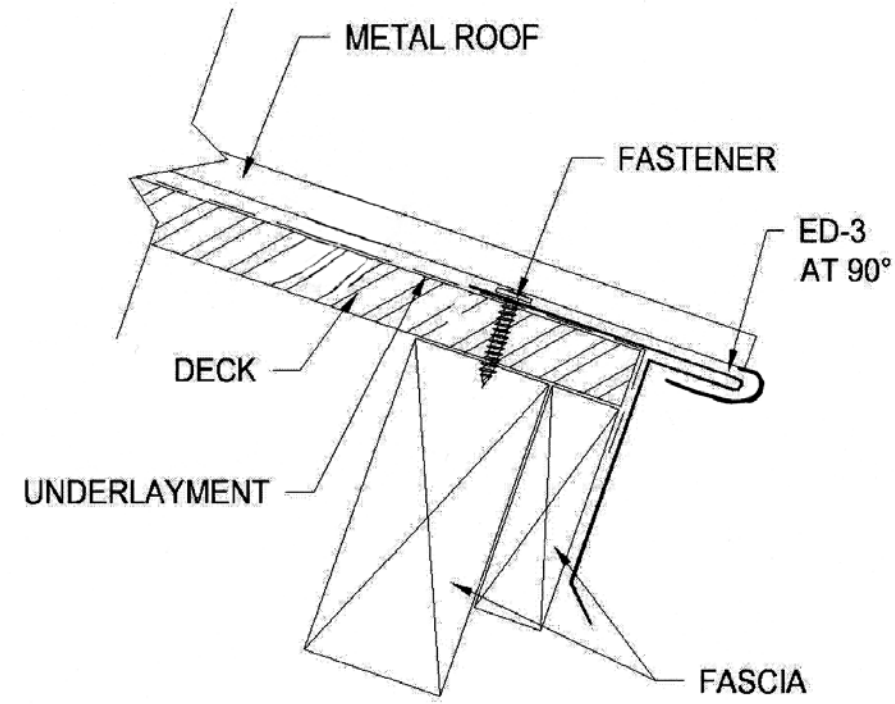
ACCESSORIES

Pancake Head Woodscrews (24" On Center Typical)

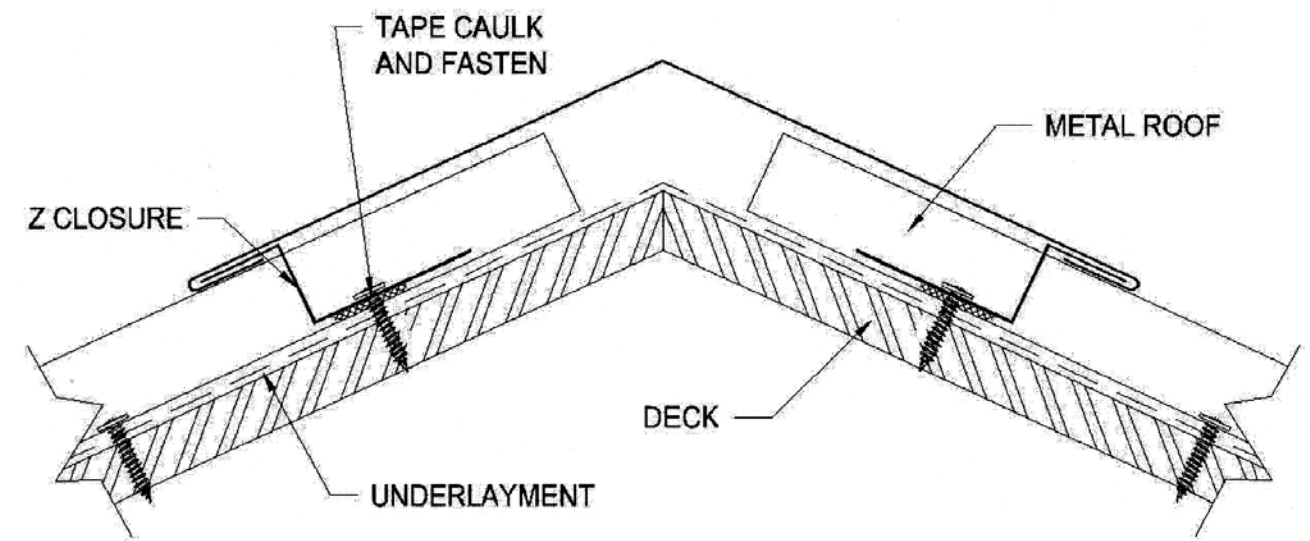
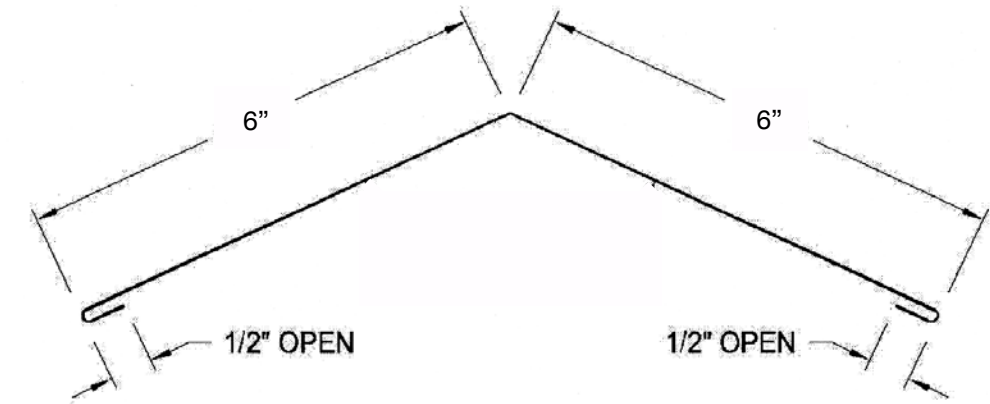
Max-Loc II Side Wall



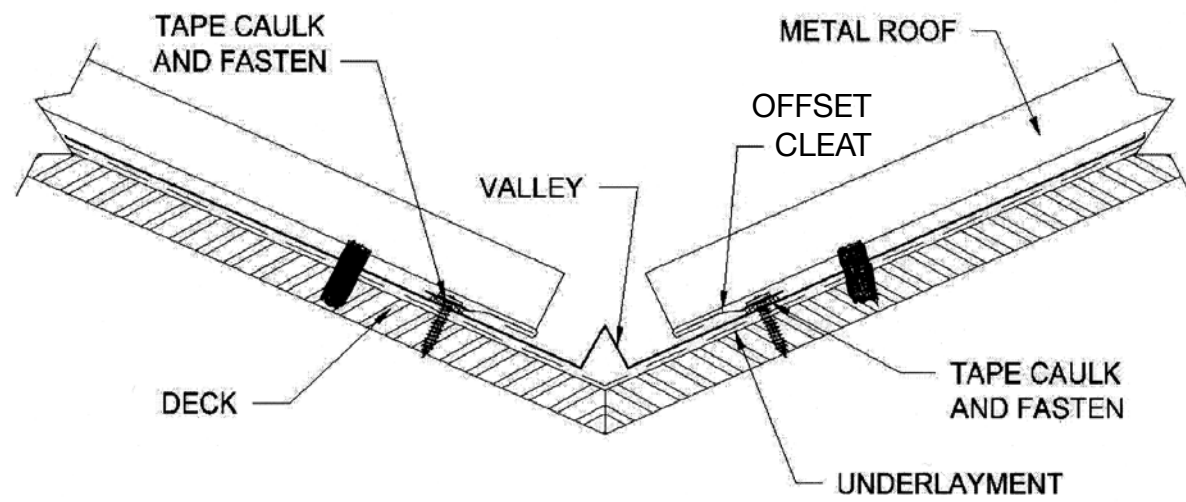
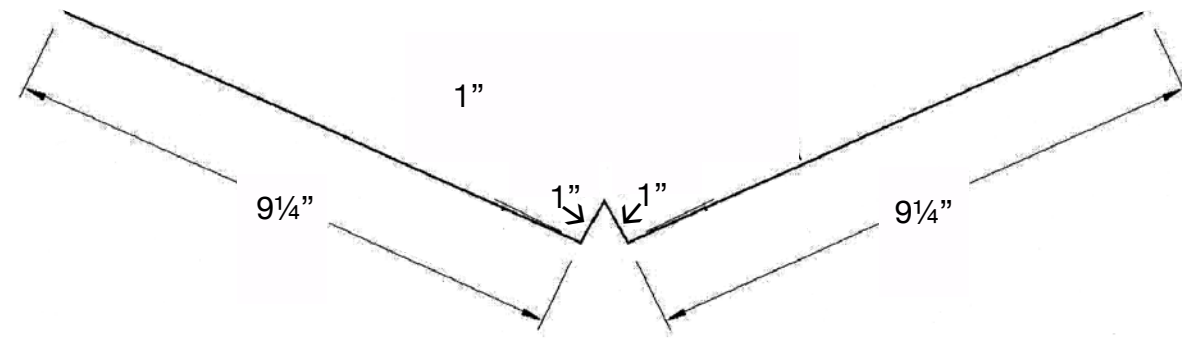
Max-Loc II Drip Edge ("D" Style)



Max-Loc II Ridge Cap



Max-Loc II Valley Flashing



Max-Loc II End Wall Flashing

