

C21 EZ CLAMP-ON

SNAPLOCK PANEL 1" TO 1-1/2" SNAPLOCK

DESCRIPTION

- Designed for 1" to 1½" snaplock standing seam roofs
- Designed for 1.0" tube (see small tube product data sheet)
- Allows for full installation without any penetration of the roof surface
- Powder coated to match roofing material color
- Overall dimensions: 4.45"L X 2.21"W X 3.01"H
- Ice Flags (Recommended)
- Recommended Tools: Tape Measure, Chalk Line, 7/32" Allen Wrench, Deep Well 9/16" Socket, Torque Wrench (15 & 30 LB-FT), Hammer, Circular Metal Saw

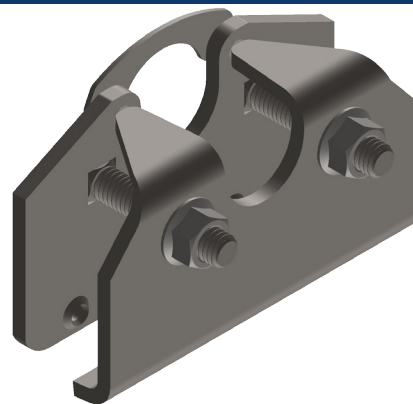
MATERIALS

- Zinc Coated Steel: 3/16" (ASTM A36)

COLORS/FINISHES

- Zinc Plated Steel
- Powder coating available in many colors visit <http://trasnowandsun.com/color-chart/> to see color chart

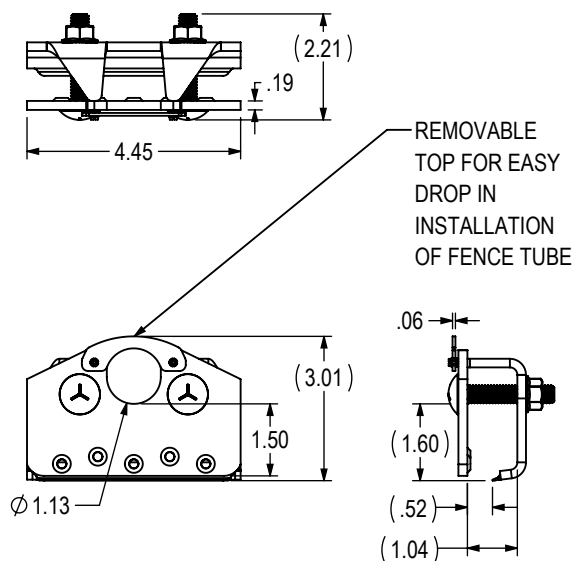
NOTE: Due to specific job conditions, TRA Snow and Sun will only warranty a snow retention system/layout that has been designed by TRA Snow and Sun.



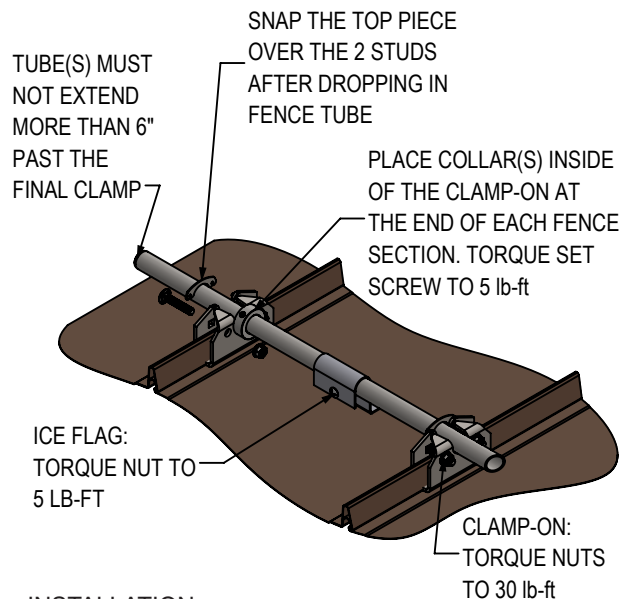
1 RAIL STANDING SEAM SNOW FENCE USED ON: STANDING SEAM METAL



1" TO 1-1/2"
SNAPLOCK



DIMENSIONS
DO NOT SCALE



INSTALLATION:

Clamp the snow fence to the rib using a torque wrench and apply 30 lb-ft of torque to each bolt. Place the collars on the fence tube so it is inside of end clamps, then drop (or place) the tube into the clamps, adjust the tube and collar positions so the tube end is 6" or less from the clamp, and the collar is next to the clamp then torque the collar set screw to 5 lb-ft. Once the tube is properly positioned, snap the top piece securely over the two studs. For ice flag installations, torque the nut to 5 lb-ft. For specific placement, contact TRA Snow & Sun.

SNOW RETENTION SYSTEMS